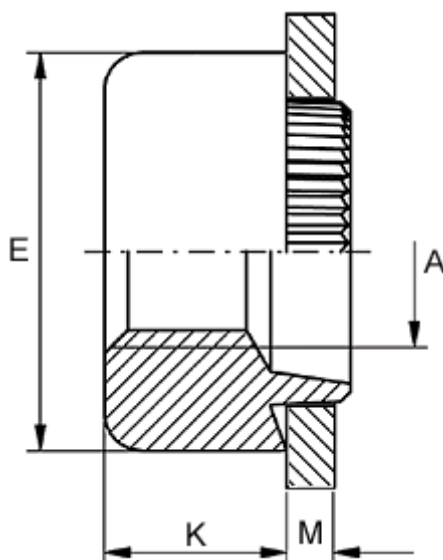


Article number: 12706000050700  
Description: KLEE-coil 706 000 050.700  
M5 Light-alloy metal

## Measures



Female thread A	= M5
Height K	= 3.0
Outer diameter E	= 11.0
Plate thickness	= 1.4 to 1.6
Recommended bore diameter for extreme load	= 8.0
Recommended bore diameter for normal use	= 8.0